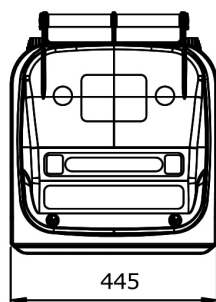
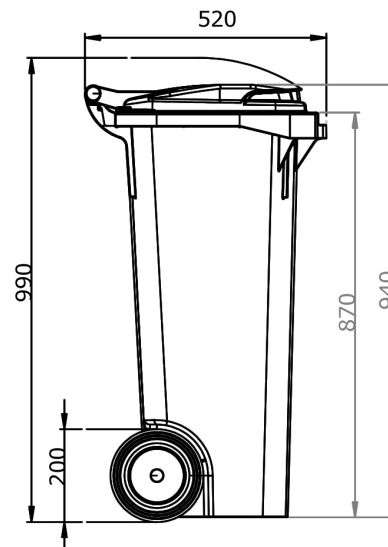
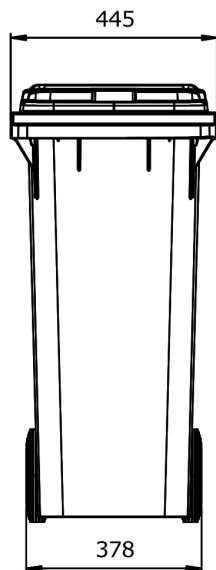


**MGB 80**  
**DIN VERSION**



**TECHNICAL DATA**

Volume (L):	80
Weight (kg):	approx. 9
Permissible total weight (kg):	max. 50
Material:	HDPE, UV-stabilized
Wheels:	2 rubber wheels Ø 200 mm corrosion free steel axle
Lid / Body:	2 hinge pins lid with lip handle continuous handle: approx. Ø 27 mm
Certification:	EN 840; RAL GZ 951/1

**OPTIONS**

- Lid with bow type handle
- Pad lock, gravity and triangular lock
- Individual identification
- Noise reduction
- Wheels ø 250 mm
- Identification systems
- Foot-operated lid opening
- Highway post
- Recycling inserts for glass and packaging
- Round or rectangular aperture with lid (restricted)

The products do not contain any substances on the SVHC list of the European Chemicals Agency (ECHA).